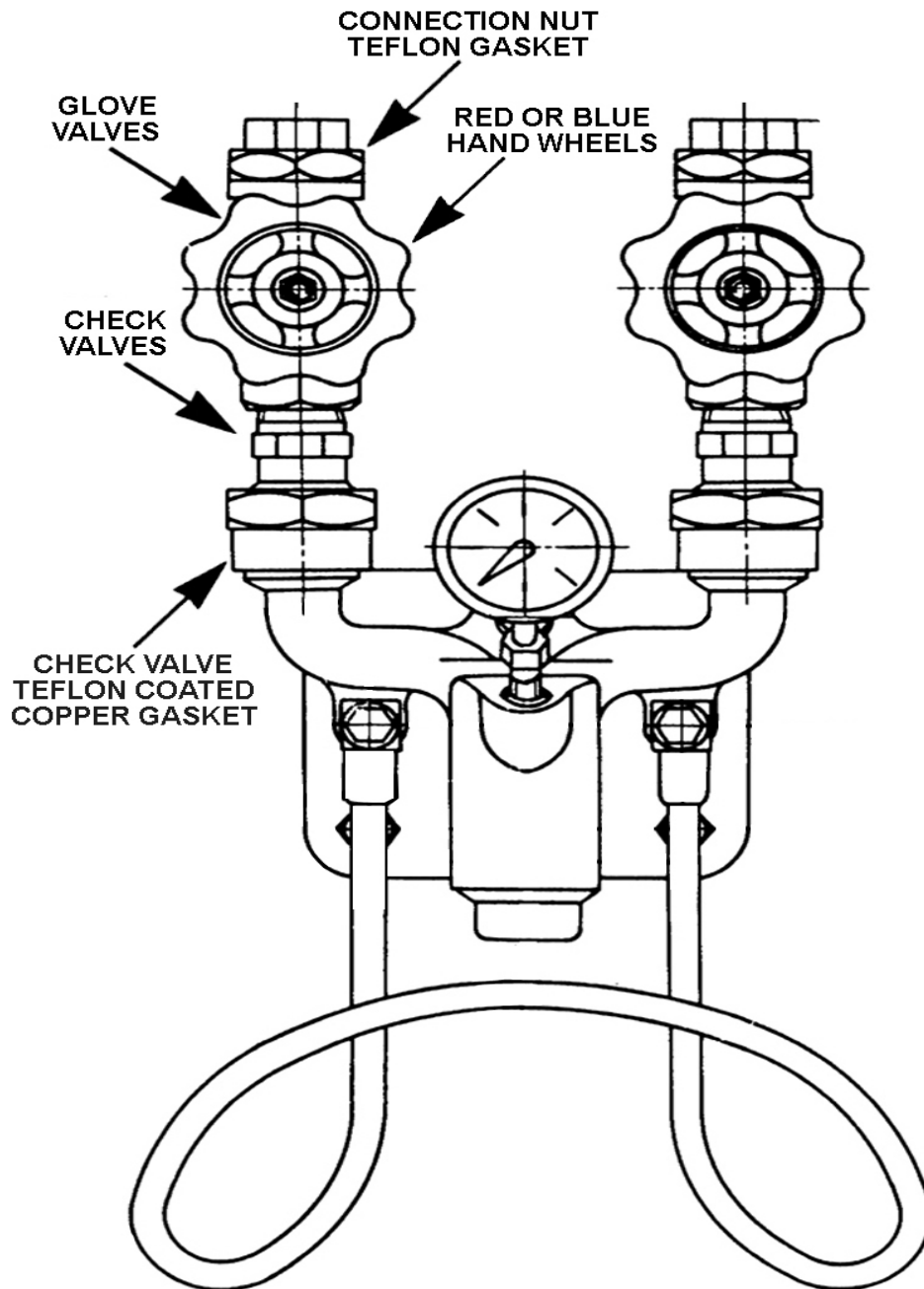


SuperKlean Washdown Products



3600M-S AVAILABLE PARTS LIST

Part No.:	Description:
GASKET-CN	Connection nut Teflon gasket
GASKET-CV	Check valve Teflon coated copper gasket
GV-WATER-S	Globe style valves for 3600M-S unit, stainless steel
CV-WATER-S	Check valve for 3600M-S unit, stainless steel
HAND-WHEEL-S	Red or blue hand wheels, epoxy coated, stainless steel